

4

3

2

1

D

C

B

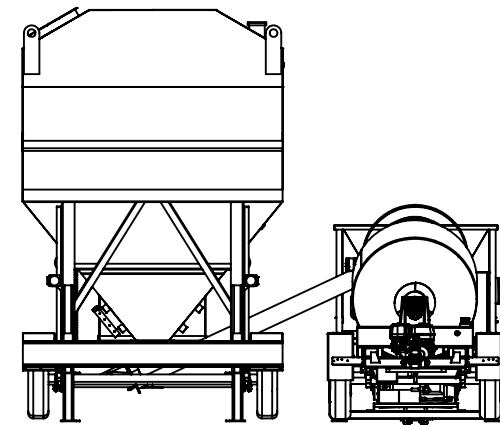
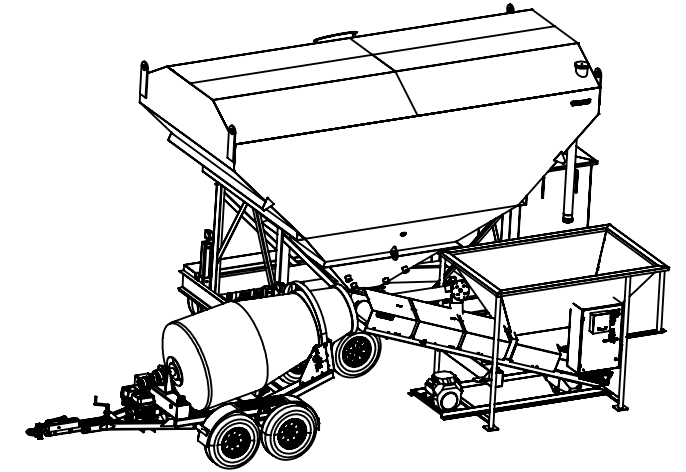
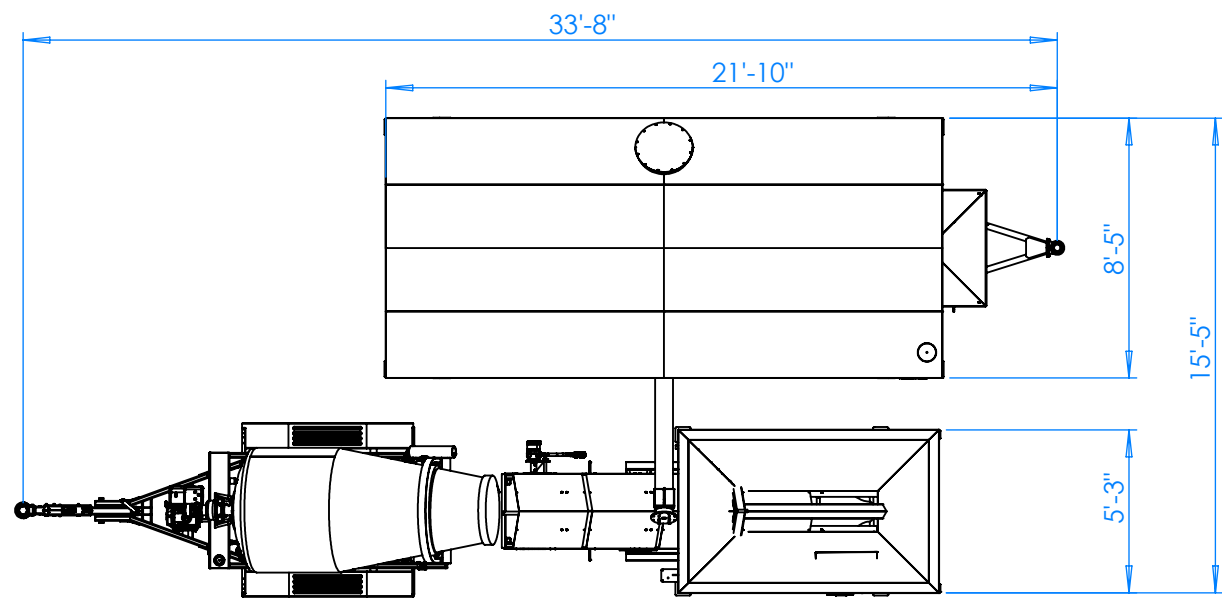
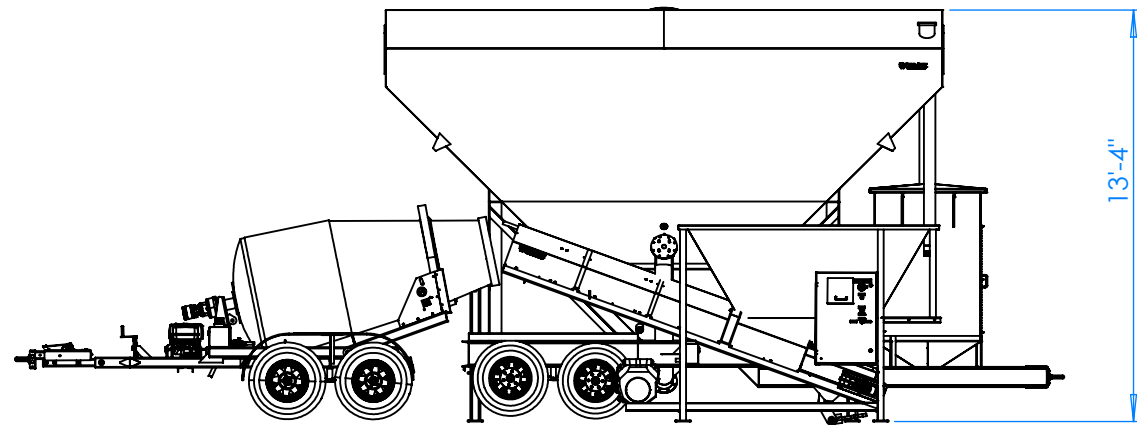
A

D

C

B

A



<p>WARNING DO NOT SCALE DRAWING MAY BE REDUCED</p> <p>Warning/Confidential - This drawing/specification contains proprietary information, title to which is held by Cart-Away Concrete Systems, Inc. (CCSI), the use of these drawings/specifications or any information contained on them contrary to the best interests of CCSI, is prohibited. Any reproduction or distribution of the information included herein is expressly limited to the purpose for which they were provided.</p>	<p>UNLESS OTHERWISE SPECIFIED DIMENSIONS ARE IN INCHES</p> <p>Tolerances: Fractions ± 1/16 Angle ± 0.5°</p>	<p>Drawn: M. Pardee Date: 9/27/2023</p> <p>Check: _____ Approved: _____</p>	<p>CART AWAY 2490 Ewald Ave SE Salem, OR 97302 Phone 1-503-4344-4444</p>
	<p>Title: CBLP-R Overhead</p>		<p>Scale: NTS B</p> <p>Sheet: 1 of 1</p> <p>Drawing No.: CLP Steelwork With CLC</p>
Material:			

4

3

2

1